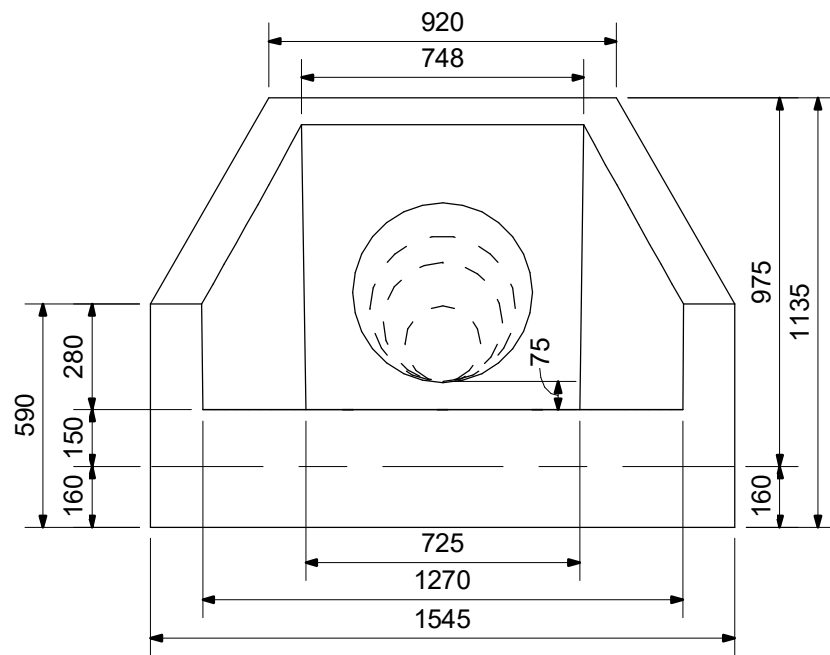
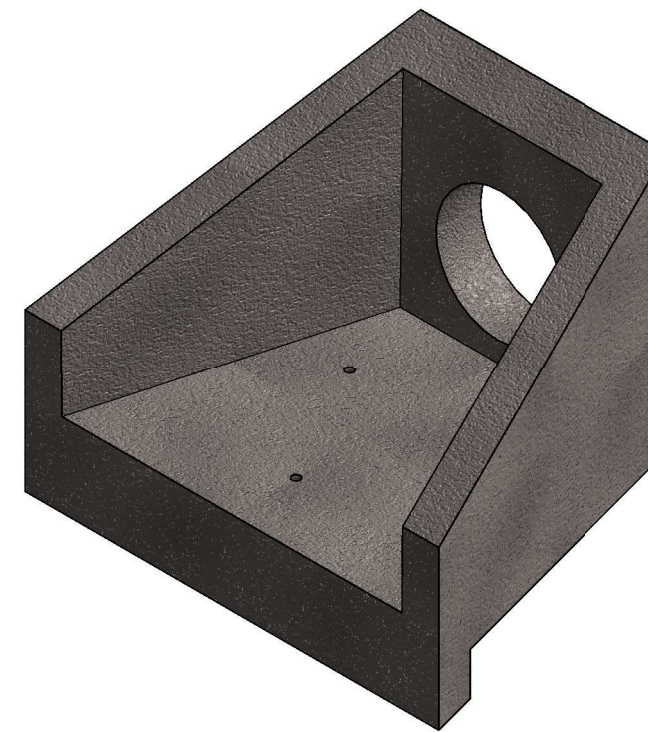


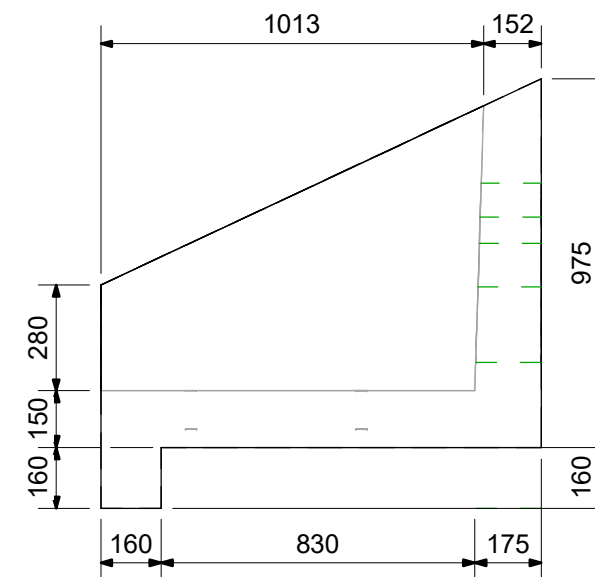
1 Headwall Plan  
1 : 20



3 Front Elevation  
1 : 20



4 Isometric



2 Side Elevation  
1 : 20

No.	Description	Date

  
**Condron Concrete Works**  
CONDRON CONCRETE WORKS IS A TRADENAME FOR CONDRON CONCRETE LTD.  
**ARDEN ROAD, TULLAMORE, CO. OFFALY, IRELAND.**  
 Telephone: + 353 (0) 57 93 49000-9      Fax: + 353 (0) 57 9341565  
 E-mail: [condronconcrete@eircom.net](mailto:condronconcrete@eircom.net)      [info@condronconcrete.com](mailto:info@condronconcrete.com)      Web: [www.condronconcrete.com](http://www.condronconcrete.com)

PROJECT	Small Head Wall	
SHEET	Plan, Elevation, Section & Isometric	

CLIENT		
Condron Concrete Works		
Date	Project number	Scale (@ A3)
14-03-18	Project Number	1 : 20
Drawn by	DRWAING NUMBER	REV
SL	PCC SHW	
Checked by		
BS		